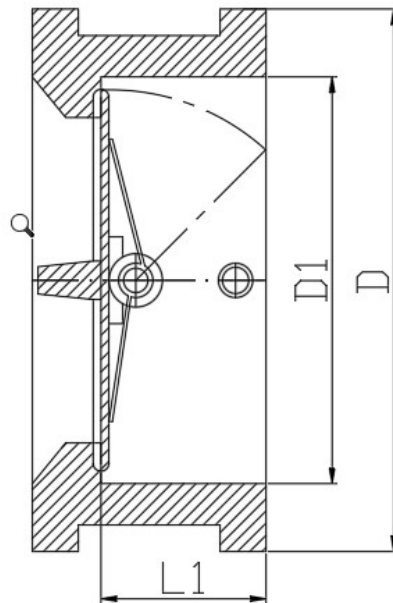
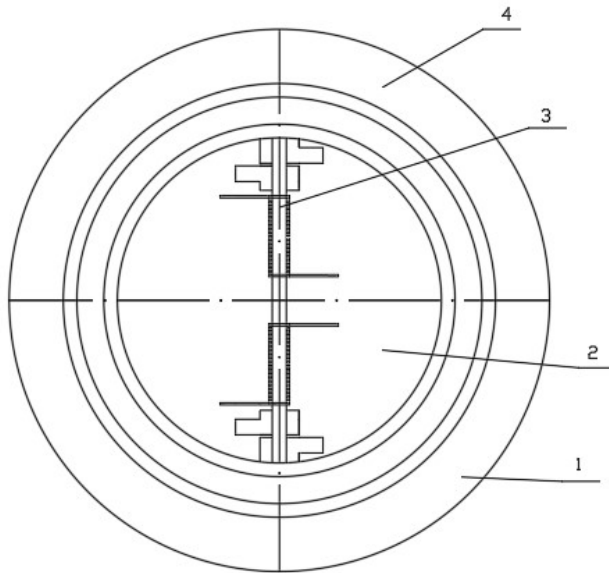


Dual Check valve



Material List

4	SEAT	EPDM
3	SHAFT	S416
2	Disc	SUS304
1	BODY	GGG50
NO.	Part Name	Material



Applications

TEST PRESSURE	HYDROSTATIC	Shell 15Kg/cm2	Seal 11Kg/cm2
	AIR	PN1.0	MPA
STANDARD	DESIGN CODE	EN 593	
	INSPECTION TEST	GOST 9544-2005	
	END STANDARD	GOST 12815	
	FACE TO FACE	EN 558	

Dimensions

Item	D	DI	L	LI
DN50	104	68	44	34
DN65	126	82.5	46	35
DN80	134	97	65	44
DN100	158	119	64	48
DN125	194	147	71	48
DN150	213	172	75	51
DN200	273	227	89	58
DN250	328	267	114	77
DN300	378	312	114	73