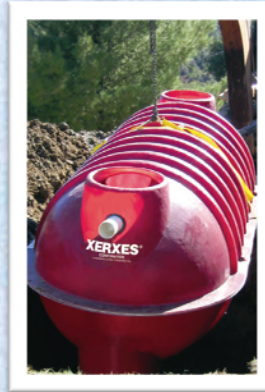
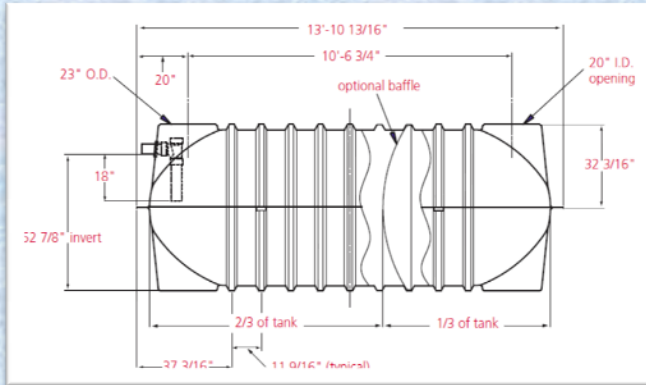




WSI-G-3000 GREY WATER RECYCLING UNIT



FEATURES

The WSI-G-3000 grey water recycling unit is designed to treat grey water from sinks and showers so that it can be re-used for applications such as flushing toilets, washing vehicles or equipment, or dust control.

The Grey Water Recycling unit consists of the following major components:

- Xerxes 1500 gallon tanks
- Vacuum bubble technology aeration system
- Clarus Environmental Pressure Effluent Filter
- Chlorination System
- Zoeller submersible pump

The unit is designed for:

- Quick and easy underground installation
- Modular expansion capability based on demand
- Recycling up to 3000 gallons of water per day

SPECIFICATIONS

- **Xerxes RST II 1500 Gal. Tank** - Constructed of long-lasting, rustproof fiberglass, 1,500- gallon size each, Manufactured with high-quality isophthalic/terephthalic polyester resin, integral ribs for superior structural strength, lightweight and easy to install in hard-to-reach locations, 24-inch access risers.
- **Vacuum Bubble Technology Aeration System** - cutting-edge technology that generates very fine bubbles, much smaller than traditional blowers. These smaller bubbles better promote

QUICK FACTS

- **Quick** installation & setup
- Saves **3000 gallons of H₂O Daily**
- **Modular** expansion capability
- Filters down to **100 microns**
- Disinfects through **Chlorination**

the growth of bacteria that break down the waste in the water.

- **Clarus Environmental Pressure Effluent Filter** – Filters the grey water down to 100 microns.
- **Chlorination System** – Disinfects the grey water by chlorine injection
- **Zoeller Model 161 Submersible Pump** – Will pump and pressurize the grey water up to 50 ft of total dynamic head and up to 20 gallons per minute to feed toilets for flushing

Water Services, Inc.

372 South 900 West, Provo, Utah 84601 ♦ Phone +1-801-705-4567 ♦ Fax +1-801-701-9240

www.water-services.us ♦ info@water-services.us

